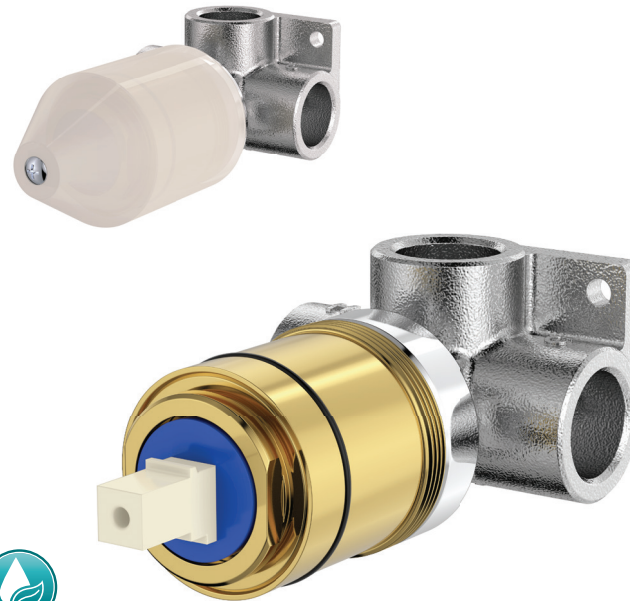


# Universal WALL MIXER BODY

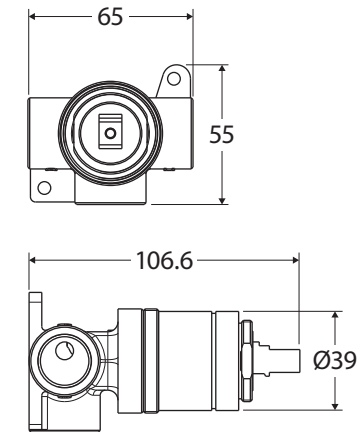
## Features

- Adjustable set out for flexibility during installation
- Protective caps to prevent damage during wall construction
- Use with high quality front-of-wall dress kit finishes from Kaya, Tono, Sansa & Axle ranges
- High quality European cartridge (35 mm)
- Made from eco-friendly lead free brass

\*Defined as containing less than 0.25% lead.



Lead Free\*



Available in



Body Only  
**230000**

## Specifications

Mixer Type	35 mm cartridge
Operating Pressure	Min: 150 kPa / 1.5 bar Max: 500 kPa / 5 bar Optimum: 350 kPa / 3.5 bar
Operating Temperature	Hot: Max 80°C Cold: Min. 5°C
Inlet Connections	½" BSPP
Suitable Hot Water Units	Storage tank and continuous flow only. Not suitable for gravity feed.



While we aim to ensure specifications are correct at the time of publication, Fienza reserves the right to make modifications without prior notice. Physical colour may vary from image shown. All measurements are shown in millimetres. Always use physical product measurements for mark-ups and roughing-in as the technical drawing may differ from actual product received.